

# Kidde Fire Systems System Component Datasheet



360 Degree Pendant Nozzle Data Sheet for use with  
Kidde ECS-500™ System and  
Kidde ECS™ with 3M™ Novec™ 1230 Fire Protection Fluid

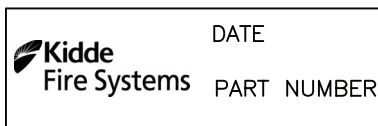
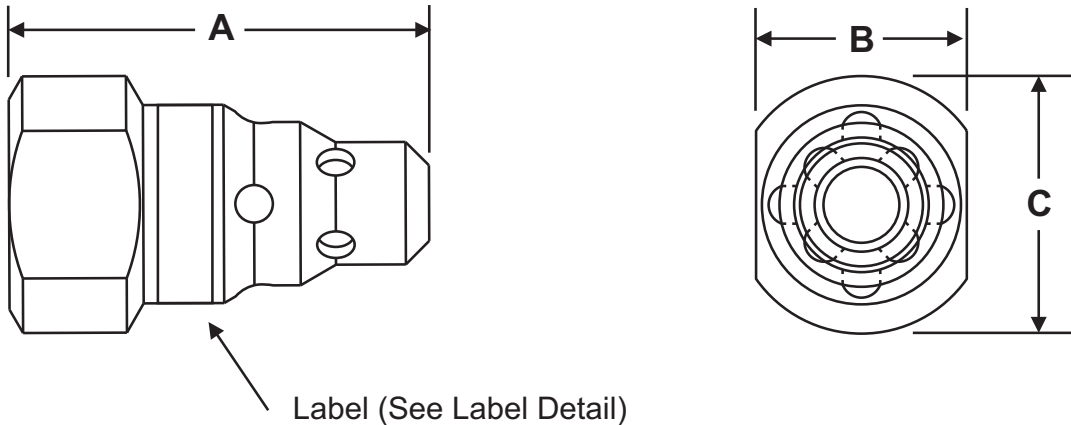
Effective: December 2018  
K-45-2140 Rev AJ

## FEATURES

- UL Listed, ULC Listed, and FM Approved for use with the systems listed in the Table , “COMPATIBILITY,” on page 2.
- Nozzles can be mounted upright or pendent.

P/N: 45-1946XX-XXX (Stainless Steel)

P/N: 45-1947XX-XXX (Brass)



LABEL DETAIL

**Note:** A selection of orifices are available for each nozzle size and make. Consult the appropriate DIOM featured in the Table , “COMPATIBILITY,” on page 2 for details.

Nozzle Size	Dimension		
	A	B	C
1/4 in. (6 mm)*	1.91 in. (49 mm)	1.03 in. (26 mm)	0.88 in. (22 mm)
3/8 in. (10 mm)*	2.03 in. (52 mm)	1 in. (25 mm)	1.19 in. (30 mm)
1/2 in. (13 mm)	2.25 in. (57 mm)	1.13 in. (29 mm)	1.38 in. (35 mm)
3/4 in. (19 mm)	2.69 in. (68 mm)	1.38 in. (35 mm)	1.63 in. (41 mm)
1 in. (25 mm)	2.88 in. (73 mm)	1.63 in. (41 mm)	1.94 in. (49 mm)
1-1/4 in. (32 mm)	3.29 in. (83 mm)	2 in. (51 mm)	2.38 in. (60 mm)
1-1/2 in. (38 mm)	3.63 in. (92 mm)	2.25 in. (57 mm)	2.69 in. (68 mm)
2 in. (51 mm)	4.50 in. (114 mm)	3 in. (76 mm)	3.50 in. (89 mm)

**Note:** \* Nozzles Sizes marked with an \* are not UL Listed or FM Approved.

## COMPATIBILITY

Series	DIOM P/N	Approvals
Kidde® ECS-500™ System	06-237585-001	UL, ULC, FM
Kidde® ECS-500™ Marine System	06-237589-001	UL,, ULC, USCG
Kidde® ECS™ with 3M™ Novec™ 1230 Fire Protection Fluid	06-236553-001	UL, ULC, FM
Kidde® ECS™ Marine with 3M™ Novec™ 1230 Fire Protection Fluid	06-236559-001	UL, USCG

### **EXPORT INFORMATION (USA)**

Jurisdiction: EAR

Classification: EAR99

This document contains technical data subject to the EAR.

KIDDE is a registered trademark of Kidde-Fenwal, Inc., or its parents, subsidiaries or affiliates.

This literature is provided for informational purposes only. KIDDE-FENWAL, INC. believes this data to be accurate, but it is published and presented without any guarantee or warranty whatsoever. KIDDE-FENWAL, INC. assumes no responsibility for the product's suitability for a particular application. Product features specified are only applicable when the fire suppression system is correctly designed, installed, maintained and serviced by trained, authorized Kidde Fire Systems distributors as per the applicable design, installation, operation, and maintenance manuals. If you need more information on this product, or if you have a particular problem or question, contact: KIDDE-FENWAL, INC., Ashland, MA 01721 USA, Telephone: (508) 881-2000.